

deli

User Manual

ANGLE POLISHER



⚠ WARNING:

For your personal safety, please read and understand before using. Please save these instructions for future reference.

Safety Instructions

Warning! When using electric tools, basic safety precautions should always be followed to reduce the risk of fire, electric shock and personal injury, including the following. Read all these instructions before attempting to operate this produce and save these instructions.

- 1 . Keep work area clean. Cluttered areas and benches are easily cause injuries.
- 2 . Consider work area environment. Don't expose power tools to rain. Don't use power tools in damp or wet locations. Keep work area well lit. Don't use tool in places where present of flammable liquids or gases.
- 3 . Guard against electric shock, Prevent body contact with grounded surface. For example, pipes, radiators.
- 4 . Keep children and visitors away. Don't let visitor's contact tool or extension cord. All visitors should be kept away from work area.
- 5 . The idle tools storage. When not in use tools should be stored in dry and high or locked up place out of reach of children.
- 6 . Do not force to work. The machine will do the job better and safer at the rate for which it was intended to be.
- 7 . Use right accessories. Don't force small accessories or attachment to do heavy-duty job.
- 8 . Dress properly. Do not wear loose clothing or jewelry. They can be caught in moving parts. Rubber gloves and non-skid footwear are necessary.
- 9 . Use eye protection. Also use face or dust mask if operation area is dusty.
10. Never yank the cord to disconnect from socket. Keep cord away from heat, oil and sharp edges.
11. Keep proper tooling and balance at all times.
12. Maintain tools with care; keep tools sharp and clean for better and safer performance. Follow instructions for lubricating and changing accessories. Inspect tool cord periodically and repair by authorized service facility only. Inspect extension cords periodi-

cally and replace if damaged. Keep handle dry clean and free from grease.

13. Disconnect the machine before servicing and changing accessories, such as blades, bits, and cutters.
14. Make sure the switch is off before plugged in. 15. Outdoor use extension cords. When tool is used outdoors, use only extension cords which intended for use outdoors and so marked.
16. Stay alert. Do not operate the machine when drunk or feeling tired.
17. Check the damaged parts. Before further use, if a guard or the other parts that is badly damaged, you should stop operation immediately. The damaged parts should be properly repaired or replaced by an authorized service center unless indicated elsewhere in this instruction manual.
18. Please do not use the accessories or attachments that are not indicated in this operating instruction or it may present a risk of personal injury and could invalidate any guarantee.
19. The wearing of ear defenders is recommended when noise exceeds 85 db.

Special Safety Regulation

When using polisher, basic safety regulations, including the following, should always be followed to avoid damage of the machine and personal injury.

- 1 . Before use, inspect the rubber disk for any damages. Do not use rubber disk which are cracked, ripped or damaged.
- 2 . Keep away from the rotating parts.
- 3 . Make sure that the tool is not in contact with work surface before switched on.
- 4 . Do not leave the machine running unattended. Operate the tools only when it is controlled by both hands.
- 5 . To reduce the risk of being scalded, do not touch the work surface after operation.
- 6 . When using extension cord, make sure it is double insulated and suitable for the tools.

Operating Instruction

- 1 . D-shaped Handle(double color) For your safety, please use D-shaped handle.

- 2 . Installation of polish wheel Mount the rubber pad and woolen disk into the spindle, and then tighten the flange nut.
- 3 . Variable speed and soft start Adjust step less speed regulator from 1000rpm to 3000rpm according to requirement, it is the highest speed in the '6' position , gradually slow down in the '1' position. Please hold both switch and self-locking button at the same time to start the machine. After the machine has been started, release the self-locking button and long press the switch.
- 4 . Always switch off and wait until the polishing wheels have come to a complete stop before storing.

Maintenance

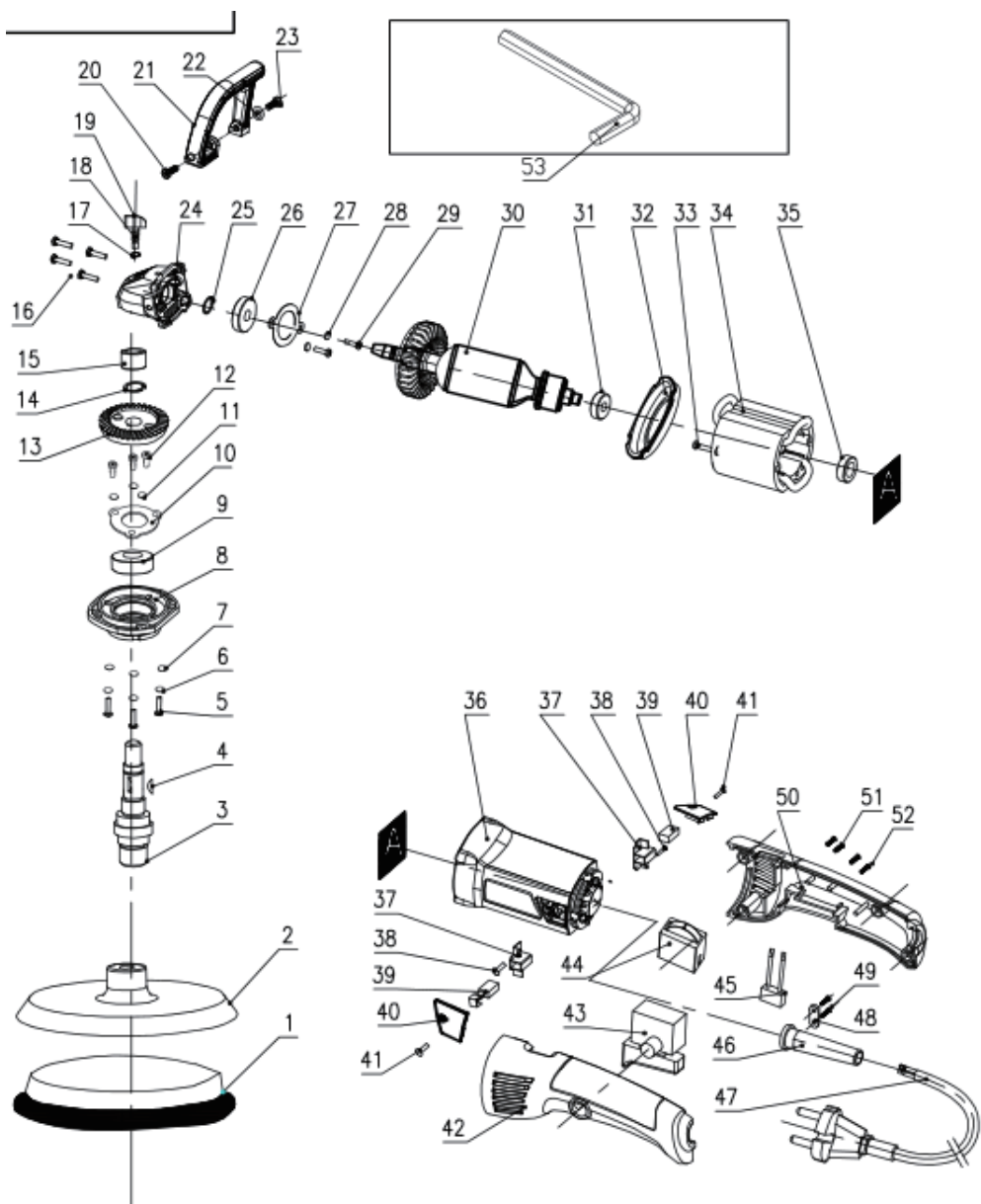
- 1 . Always ensure that the tool is unplugged from the power when the machine is maintaining.
- 2 . Remove chips, oil and grease from the machine. Keep the tools sharp and clean.
- 3 . Regularly check if all the fixing screws are tight, and make sure that there's no crack or damage on the tools.
- 4 . Regularly check and ensure that there's no damage on the cord.
- 5 . There are two coal brushes in one machine. When the coal brushes were burnt or broken, they must be replaced with new brushes. Always replace a pair at a time.
- 6 . When the woolen wheel worn out, change the wheel and the woolen must be concentric alignment with the polishing wheel.

Technical Data

Input Power: 1200W

No-load speed: 800-3600r/min

Dia. Of Wheel: 180mm



NO.	DESCRIPTION	QTY
1	Felt wheel	1
2	Polish disc	1
3	Output spinder	1
4	Woodruff key 3*10	1
5	Screw M4*16	4
6	Spring washer	4
7	Flat washer	4
8	Head cover	1
9	Bearing 6201	1
10	Bearing cover 6201	1
11	Spring washer	3
12	Screw M4*16	3
13	Big gear	1
14	Spring baffle	1
15	Needle bearing	1
16	Screw ST3.9*18	4
17	Ctiper	1
18	Spring	1
19	Self-lock pin	1
20	Screw M8*18	1
21	Auxiliary handle	1
22	Flat washer	1
23	Screw M8*18	1
24	Reduction gear box	1
25	Bearing baffle	1
26	Bearing 6000	1
27	Bearing cover	1
28	Gasket	2

NO.	DESCRIPTION	QTY
29	Screw M4*12	2
30	Armature	2
31	Bearing 618	1
32	Wind shielding	1
33	Screw ST3.9*60	2
34	Stator	1
35	608 Bearing sleeve	1
36	Housing	1
37	Carton brush holder	2
38	Screw ST2.9*10	2
39	Carton brush	2
40	Carton brush cover	2
41	Screw ST2.9*10	2
42	Right handle	1
43	Switch	1
44	Speed controller	1
45	Capacitance 0.22	1
46	Cable sheath	1
47	Cable	1
48	Cord clamping	1
49	Screw ST4.2*14	2
50	Left handle	1
51	Screw ST3.9*16	2
52	Screw ST3.9*14	2
53	Hexagon wrench	1